

LF31WSH63S

French Door Standard-Depth Refrigerator

3-Door French Door
 Large Capacity, 31 cu.ft.
 Dual Ice Maker
 Slim SpacePlus® Ice System
 Hybrid Handle Design
 Door Cooling+
 ENERGY STAR® Qualified

AVAILABLE COLORS

 Stainless Steel



CAPACITY

Total Capacity (cu.ft)	30.7
Freezer Capacity (cu.ft)	10.3
Refrigerator Capacity (cu.ft)	20.4

CONTROL AND DISPLAY

Internal LED Display	Yes [LED Display]
Door alarm	YES
Express Freeze	YES

MATERIAL AND FINISH

Finish (Door)	Stainless Steel
Handle Type	Bar + Pocket (Hybrid)
Contour Door	FLAT
Fingerprint & Smudge Resistant Exterior	YES
Flat Metal Duct (Metal Fresh)	R Metal

ICE & WATER SYSTEM

Water Only Dispenser	No
Ice & Water Dispenser	Cube & Crushed Ice
Water Filtration System	Internal (1 stage)
Water Filter Model Name	LT1000P
Automatic Ice Maker	Yes (In Cabinet, Factory Installed)
Dual Ice Maker	Yes (Cube Ice)
Dispenser Light	No
Daily Ice Production (lb.)	2.5 / 2.7 (IcePlus)
Ice Storage Capacity (lb.)	3.0
Ice Maker_Manual	No

FEATURES

Door Cooling+	Yes
Door-in-Door	No
InstaView	No
Auto Closing Door Hinge	Yes (Left Door Only)
Sabbath Mode	Yes
Zero Clearance	No

PERFORMANCE

Energy Consumption (kWh/year)	755
Compressor Type	Smart Inverter Compressor (BLDC)

SMART TECHNOLOGY

ThinQ (Wi-Fi)	Yes
Smart Learner Ver.	No
Smart Diagnosis	Yes
Proactive Customer Care	Yes

REFRIGERATOR COMPARTMENT

Refrigerator Light	Top LED
Shelf_Tempered Glass	4 Split
Shelf_Cantilevered	Yes (Hybrid)
Door Basket_Transparent	8
Door Basket_Moving Basket	No
Vegetable Box	Yes (2)
Wide Pantry	Yes
Shelf_Folding	No

FREEZER COMPARTMENT

Door Type	Pull Drawer
Freezer Light	Top LED
Drawer_Freezer	2 - tier organization
Drawer Divider	Yes
Durabase Solid Drawer Base	No

MULTI ROOM COMPARTMENT

Convertible Drawer	No
Full-Convert Drawer	No

DIMENSIONS/CLEARANCES/WEIGHTS

Product Weight (lb.)	304
Gross Weight (lb.)	326
Height to Top of Hinge or Door Cap Deco (inch)	70 1/4"
Height to Top of Case (inch)	68 7/8"
Depth without door (inch)	30 1/8"
Depth without handle (inch)	34 3/8"
Depth with handle (inch)	36 7/8"
Total Depth with Door 90 Open (inch)	48 7/8"
Width door open 90 with Handle (inch)	44 7/8"
Width door open 90 without Handle (inch)	40"
Product Dimension (WxHxD, inch)	35 3/4" x 70 1/4" x 36 7/8"
Packing Dimension (WxHxD, inch)	37 7/8" x 72 3/8" x 36 3/8"
Installation Clearance	Sides 1/8", Top 1", Back 2"

LIMITED WARRANTY

Parts & Labor	1 Year
Sealed System (Parts & Labor)	7 Years
Linear Inverter Compressor (Parts Only)	6-10 Years

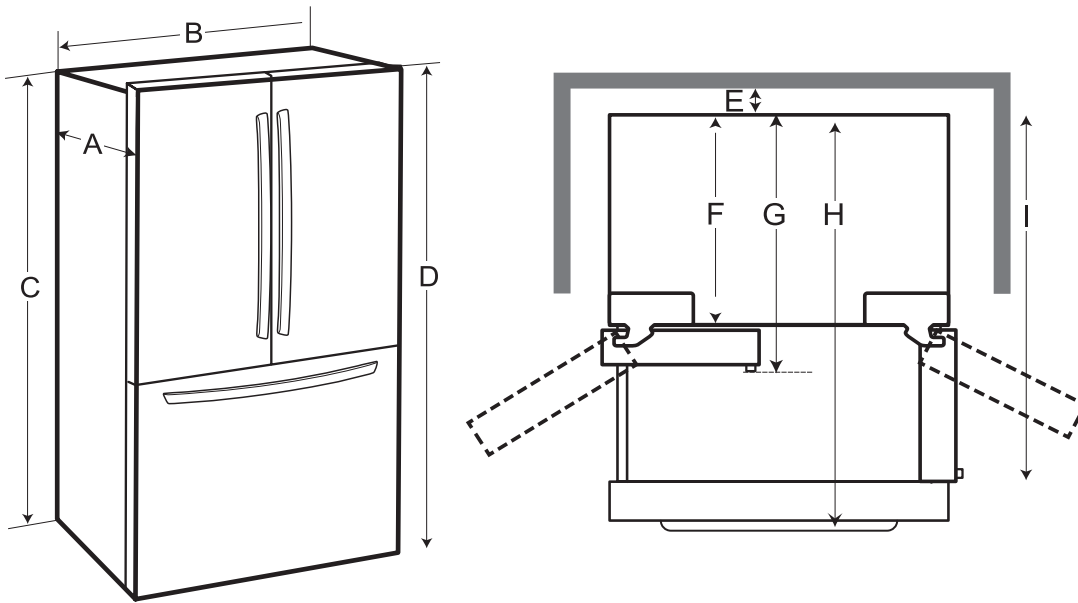
UPC

LF31WSH63S(Stainless Steel)	195174150887
-----------------------------	--------------

LF31WSH63S

INSTALLATION NOTES

- Check the dimensions of the appliance and the installation path to ensure there is sufficient room to move the refrigerator through doors or narrow openings.
- If an opening is too narrow to fit the refrigerator through, remove the refrigerator doors. See Removing/Assembling the Doors and Drawers in this manual.
- The installation location chosen for the refrigerator should allow space behind the unit for connections and airflow and space in front to open the doors and drawers.
- Too small of a distance from adjacent items may result in lowered freezing capability and increased electricity consumption charges. Allow at least 24 inches (610 mm) in front of the refrigerator to open the doors, and at least 2 inches (50.8 mm) between the back of the refrigerator and the wall.



DIMENSIONS / CLEARANCES

A	Depth without Handle	34 3/8" (874 mm)
B	Width	35 3/4" (908 mm)
C	Height to Top of Case	68 7/8" (1750 mm)
D	Height to Top of Hinge	70 1/4" (1785 mm)
E	Back Clearance	2" (50 mm)
F	Depth without Door	30 1/8" (764 mm)
G	Depth with Handle	36 7/8" (937 mm)
H	Depth (Total with Freezer Drawer Open)	57 7/8" (1469 mm)
I	Depth (Total with Door Open 90°)	48 7/8" (1240 mm)